



T225 Dual Tab Driver Operators Manual

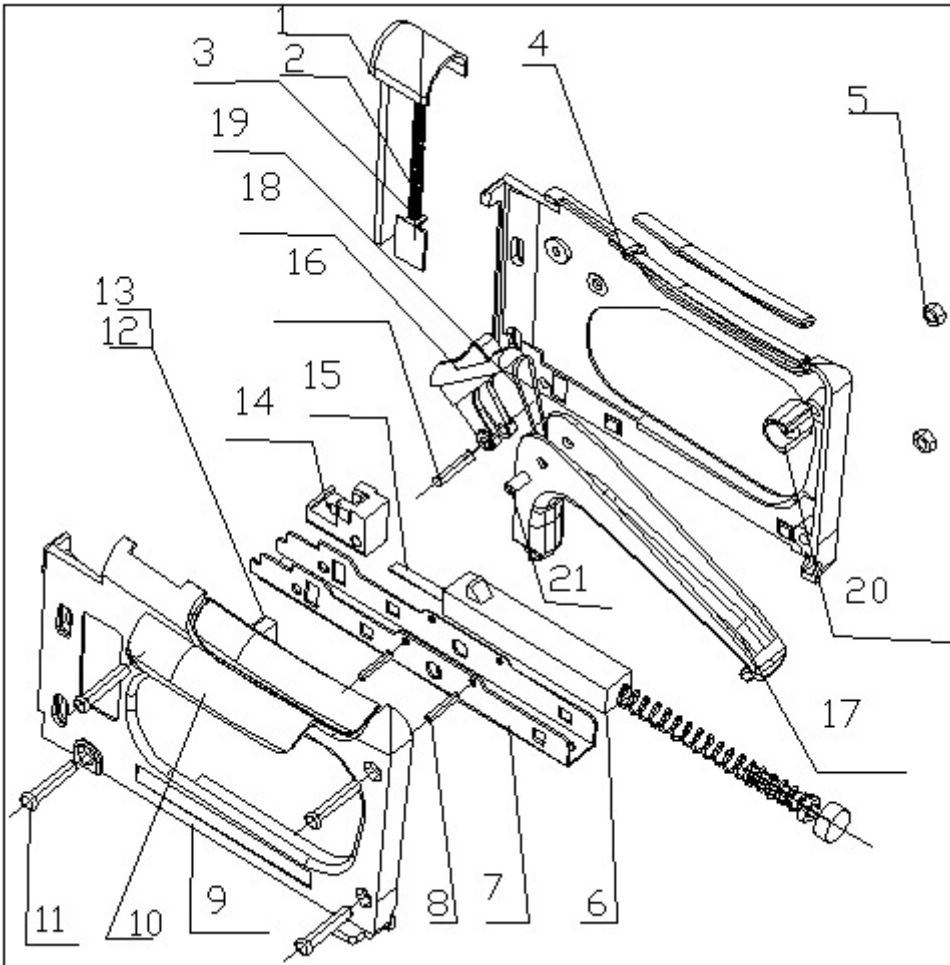


Thank you for purchasing the Framers Corner T225 Dual Tab Driver. This tool is intended to be used for picture frame assembly, to hold the glass, artwork and backing board securely into a wooden picture frame.

SAFETY INSTRUCTIONS

- Always wear eye protection
- Never pull the trigger unless the nose is pressed firmly against the wood
- Place the frame to be assembled on a flat stable surface
- Small frames will need securing before inserting tabs

- | | |
|------------------------------------|---------------------|
| 1. Slider Knob | 12. Cushion Plate |
| 2. Spring Loaded Top Pressure Unit | 13. Cushion |
| 3. Pusher | 14. Nosepiece |
| 4. Right Hand Body | 15. Driver |
| 5. M4 Nut (4 off) | 16. Spacer Bush |
| 6. Driver Holder Unit | 17. Handle |
| 7. Base | 18. Release Knob |
| 8. 22mm x 2.5mm Diameter Pins | 19. Spring |
| 9. Left Hand Body | 20. Dampener |
| 10. Handle Grip | 21. Trigger Spindle |
| 11. M4 x 22mm Screw (4 off) | |



LOADING TABS

Press the magazine cover release



Pull the magazine cover up to reveal the loading slot



Load a strip of T4F or T4R tabs into the magazine with pointed end forwards



Firmly press the magazine cover back down until it clicks

INSERTING TABS

1) Press the nose of the tab driver firmly against the back of the frame in the position you want to insert the tab.



2) Ensure the frame is held securely so it will not move as the tab is inserted.

3) Squeeze the trigger until it releases the spring and inserts the tab.



4) Release the trigger.



5) Move to the next position and repeat the process.



6) For frames up to 300mm x 300mm we recommend using 2 tabs on each side (Total 8). Larger frames may require more tabs.

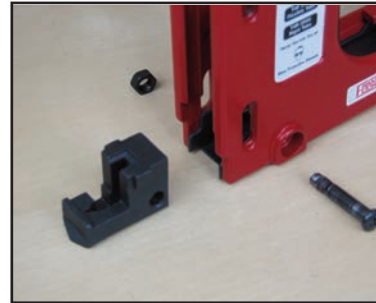
7) When working with softwood the tab will be inserted to a depth of around 7mm. If you are working with hardwood it may be necessary to increase the spring tension to maintain this depth of insert. Turn the tensioning screw clockwise to increase the spring tension. It is advisable to lower the spring tension again afterwards as it also adds resistance to the trigger, causing operator fatigue.



MAINTENANCE

In the event of a tab jamming in the driver, it can most often be pulled out with a pair of pliers.

If this is not possible remove the nosepiece by undoing the securing screw and removing the bolt. The nose piece will then pull out.



When new, the tab drive is lubricated. Over time it may be necessary to reapply lubrication. It is not recommended you undo all the screws holding the driver together as there are several springs contained inside, and they are difficult to reassemble.

As required, remove the nose and apply lubricant between the Base and Driver Holder Unit, Parts 6 & 7. Use authentic Framers Corner Tabs: T4F Flexible Type or T4R Rigid Type. Size: 15mm length x 4.3mm width x 0.4mm thickness.

Declaration of Conformity for CE Marking

Framers Corner
Cedar Court, Walker Road, Bardon Hill, Leicestershire, LE67 1TU, England

Declare that Picture Frame Fixing Tool
Models T120, T220, T225 and T240

Conforms with the following Directives:

Machinery Directive 2006/42/EC

And further conforms with the following EU harmonized standard;

EN ISO 12100:2010

I hereby declare that equipment named above has been tested and found to comply with the relevant sections of the above referenced specifications. The machinery complies with all essential requirements of the directive.

Signed: R Cook

Dated: 04/05/2012 Location: Leicestershire

Richard Cook
Director





For sales, service and spare parts

www.apm-mouldings.com.au

APM Mouldings 120-130 Bolinda Rd Campbellfield, VIC 3061
Ph: 03 8301 9199 | Fax 03 9357 4077 | Email apmoffice@chamton.com
www.apm-mouldings.com.au

Australian Owned Family Company
Quality Moulding Manufacturers and Distributors



FOR ORDERS
Available 24/7

